

NEXT-GENERATION  
FAR-INFRARED HEATING  
MANUFACTURERS

“A New World of Warmth”



## Yandiya Heating Panel Fixings

Our heating panels require fixings to attach to the wall or ceiling of your building. As such, all of our heating panels are equipped with rear fixings.

Over the past 5 years our panels have been through multiple iterations of research and development, to create Yandiya panel fixings for a quick and time efficient installation.

This technical specification will detail each fixing type, to work with your building requirements.

All Yandiya heating panel fixings are supplied with every heating panel you order through your quotation.

### Check Out Our Other Products!

#### 250W 'Wave' Mirror

Our newest addition to our F-IR mirror family, with a built in LED ring light, which can be turned on with a simple hand swipe in front of the sensors.

Switch from either warm or cool LED light, and adjust the brightness to your liking.

An ideal solution for bathrooms and wet rooms.



#### 900W Premium Glass Finish

Our premium glass finish will add a premium level of sophistication to all types of rooms, with its slimline profile to give the panel a floating effect on the wall.

With its IP65 rating, the panel is dust tight and protected against water sprays. Available in either black or white colour.

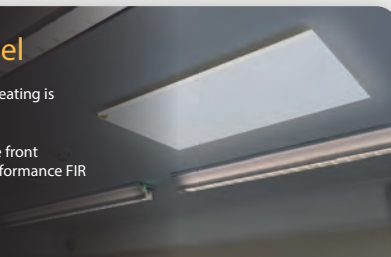


#### 500W Aluminium Panel

The 500W panel is a great solution where heating is required but space is limited.

Creating an even heat dispersion across the front surface, which makes them the highest performance FIR heaters available.

Available in black, white or custom print.



#### 3200W Blade Outdoor Power Heater

Our Zero far-infrared outdoor power heater, with its aluminium body and stainless steel grill is designed to provide heat to large, open plan and outdoor areas.

ideal for large indoor areas and outdoor patio areas



Yandiya Technology HK Ltd

Tel: +86 (0) 136 9199 6563

Email: [info@yandiya.com](mailto:info@yandiya.com)

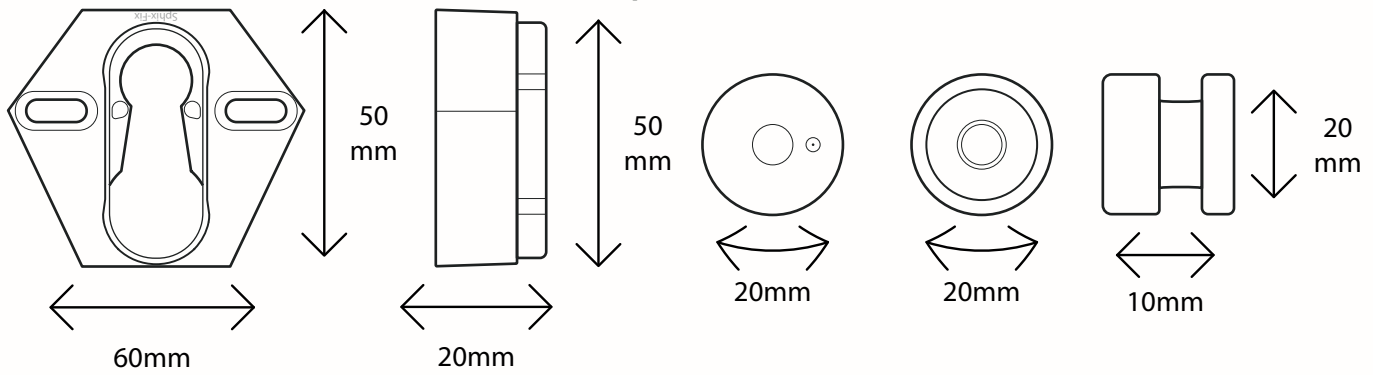
[www.yandiya.com](http://www.yandiya.com)

“A New World of Warmth”

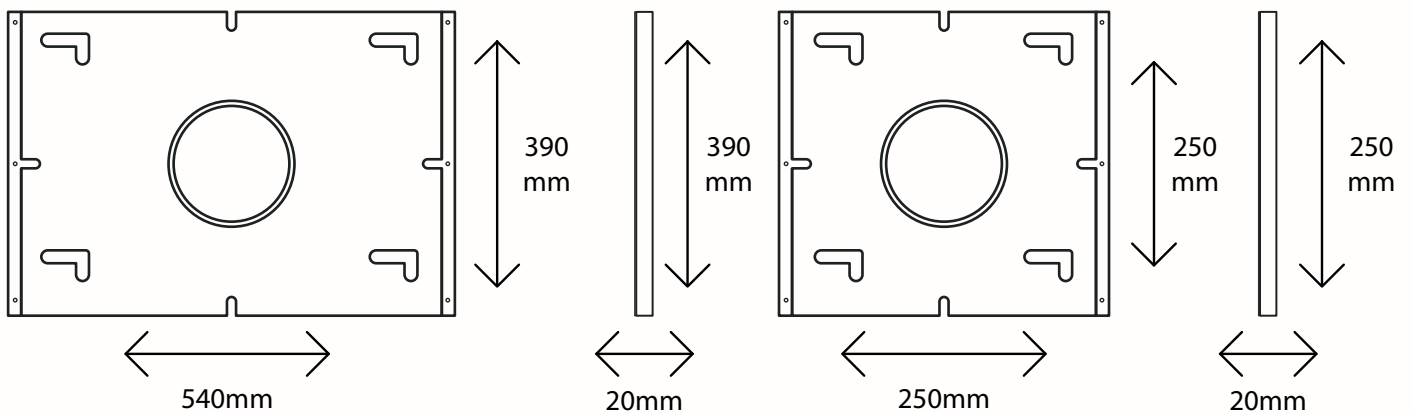
The Panel thickness is 18mm; This will increase by an additional 20mm with our sphix-fix or easy install cassettes. Aluminium spotlight panels can be installed on the wall or ceiling, in portrait or landscape orientation.

**Yandiya Heating Panel Fixings CAD Drawings & Dimensions**

**Sphix-Fix**



**Yandiya Cassette**



**Pre-Fixed Installation Bar Fixings Manufacturer Specification**

Material Surface Design:	Aluminium
Fixing Method to the wall:	Printed heating panel fixing template, to be installed with your own laser/string line level
Fixing Exclusivity:	This fixing is exclusive for our 600W aluminium and glass panels, and for Yandiya heating panels manufactured from 2017-2019
Dimensions:	The width and height of the installation bars, are different for each heating panel however, the depth remains the same at 20mm

**Yandiya Cassette Fixings Manufacturer Specification**

Material Surface Design:	Aluminium
Fixing Method to the wall:	Screw fixings to be installed with your own laser/string line level, to slide the panel bolts into the designated corner slots
Fixing Exclusivity:	This fixing is exclusive for Yandiya heating panels manufactured from 2020-2023
Dimensions:	Large: W - 540mm x H - 390mm x D - 20mm   Small: W - 250mm x H - 250mm x D - 20mm

**Yandiya Sphix-Fix Fixings Manufacturer Specification**

Material Surface Design:	30% Glass - PVC Plastic
Fixing Method to the wall:	The cylinder part to be installed with your own laser/string line level, to slide the hexagonal rear to the screwed in cylinder part
Fixing Exclusivity:	This fixing is exclusive for Yandiya heating panels manufactured from 2022 to Now
Dimensions:	Hexagonal Fixing Part: W - 60mm x H - 50mm x D - 20mm   Cylinder Fixing Part: Diameter - 20mm x Depth - 10mm